

Barrier Arms EL Series



Introduction

Our barrier arms are highly efficient, durable and easy to install. They have been designed and constructed to control car park entrances and exits with widths of 3m, 4m and 6m. The units are aesthetically pleasing and feature a robust design, mechanical components and an electronic programmer all housed in an aluminium casing.



EL 3424 - 3 or 4m

24v Motor
Built in S449 Receiver
Used for 3m or 4m arms

Opening Times:
3m Boom - 1.5 secs
4m Boom - 2.5 secs

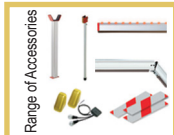


EL 613GN - 6m

230v Motor
Used for 6m arms

Opening Time:
10 seconds

We have two models available, the 24v EL 3424 designed for either a 3m or 4m arm and the 230v EL 613GN model designed for a 6m arm. Each site is different so the boom arms are sold separately. We can supply the arms with the rubber buffer and reflective labels or buffer only.



Features

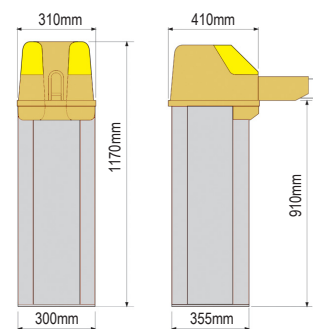
- Incorporated electronic programmer for easy integration
- Aluminium, modular construction
- Aesthetically pleasing & robust design
- Low voltage motor
- Boom Deceleration when opening and closing
- Easily accessible for maintenance via lockable access door

Technical Information

EL 3424 General Info	3m	4m
General Characteristics		
Mains power supply	230 Vac	230 Vac
Electrical input	0,9 A	0,9 A
Power input	250 W	250 W
Duty cycle	90%	90%
Geared motor speed	14 revs/min	10 revs/min
Opening time (90°)	1.5 sec	2.5 sec
Torque max.	157 Nm	109 Nm
Operating temperature range	-20.. +55°C	-20.. +55 °C
Protection grade	IP54	IP54
Motor Data		
Motor power supply	24 Vdc	24 Vdc
Power input	120 W	120 W
Electrical input	3,2 A	3,2 A
Incorporated Receiver Card (S504)		
Reception frequency	433.92 MHz	433.92 MHz
Number of user codes	300	300
Number of channels	4	4
Number of functions	1	1
Battery Type		
Model	Pb	Pb

EL 613GN General Info	6m	General Info	6m
Power supply	230V	Shaft rotation speed	2 revs/min
Frequency	50Hz	Opening time (90°)	10 seconds
Electrical input	2,7A	Capacitor	20 µF
Power input	600W	Protection grade	IP54
Duty cycle	70%	Maximum boom length	6m
Torque max.	400Nm		

EL 3424



EL 613GN

