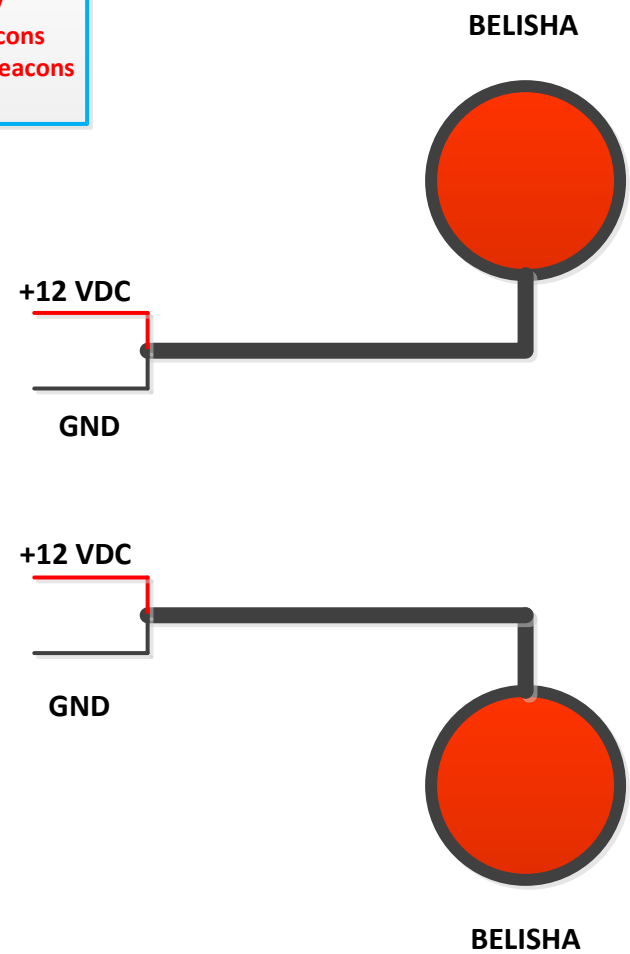
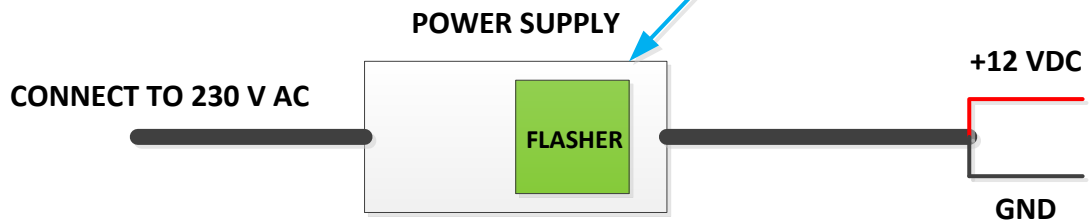




WARNING !
3 Amps Power Supply – One Belisha Only
5 Amps Power Supply – Two Belisha Beacons
10 Amps Power Supply – Three Belisha Beacons



INSTRUCTION

1. Connect the two positive cables (RED) to the positive cable (RED) of the power supply.
2. Connect the two Black cables from the Belisha to the Black cable of the power supply.
3. Connect the power supply to 230V AC with the supplied power cable.
4. Switch on mains supply, both the Belisha should flash in sync.

Title	BELISHA SCHEMATIC
Date	15 March 2012
Drawn by	D PRASAD
Version	1

SIDE MOUNT



DRAIN HOLE
INSTALL BELISHA WITH
THE DRAIN HOLE
FACING DOWN

TOP MOUNT



DRAIN HOLE
REMOVE 2 SCREWS TO
FREE DRAIN HOLES